



## Background

With the development of industry and its impact on the climate, haze has become more and more severe throughout the country in recent years. The haze causes low outdoor visibility. Such weather is a great problem for transportation, especially the highway. Highways often cause serious traffic accidents due to haze weather. Once an accident occurs, it will be a tragedy. In order to reduce security risks, government usually adopt road closures and other methods, which have brought a lot of inconvenience and economic losses.

## Challenge

1. Low visibility of highways, prone to traffic accidents;
2. Low visibility, illegal vehicles cannot be seen clearly, and it is difficult to obtain evidence;
3. In the haze weather, the monitoring distance is reduced and the image is blurred. The ordinary monitoring equipment can only see the white fog and the nearby scene;
4. The scene of the accident cannot be clearly presented, making it difficult to determine the liability of the accident.

## Introduction

In response to the above problems, Emdoor Info recommended a fanless industrial computer EM-MP150J for it. With the haze penetration technology, a highway haze penetration vision system is constructed. This system is a vehicle-mounted system that can obtain clear and recognizable video through smog within 100 meters. The impact of haze weather on surveillance video and image clarity is reduced, and the quality of video surveillance in haze weather is improved.



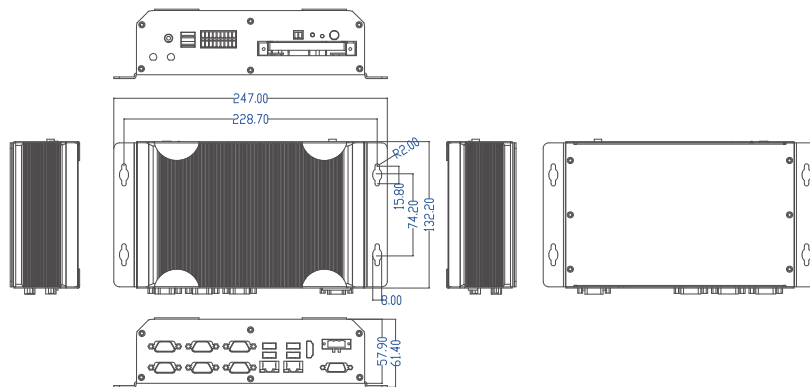
**EM-MP150J**  
Fanless Embedded PC



## Advantage

1. Real-time automatic sensing and collection of road conditions, road environment, abnormal events, traffic conditions and other information to improve driving safety coefficient;
2. Solve the problem of low visibility of outdoor monitoring equipment, and improve its visible distance and video clarity in low visibility.

## Optional Accessories



Windows



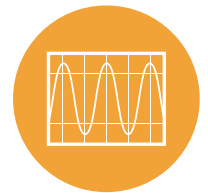
Linux



Fanless



Anti-static



Wide Voltage